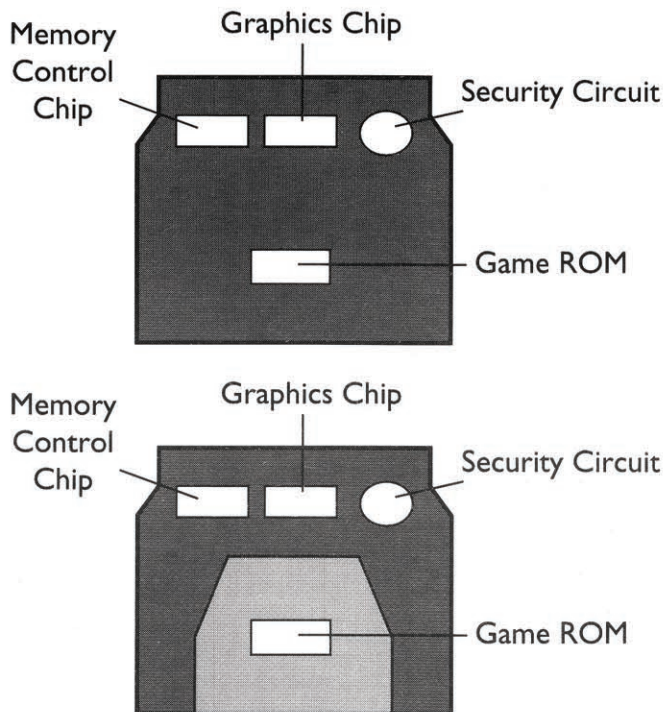


The Aladdin System-

How does it work?

A regular game cartridge contains four main components:



Only one of these components contains the actual game, this is the Game ROM chip. The others are the same from one game to the next.

The Aladdin system allows this Game ROM chip to be interchangeable, by building it into a separate Compact Cartridge that can be plugged into the Deck Enhancer.

This makes the Compact Cartridges much cheaper to produce than a standard game cartridge, since they only contain 1 of the 4 major components of a standard cartridge. And when a Compact Cartridge is connected to an Aladdin Deck Enhancer it allows the game to function with all capabilities of a standard cartridge.

Nintendo Entertainment™ is a trademark of Nintendo of America Inc. The Aladdin Deck Enhancer is a product of Camerica Corporation and is not manufactured, distributed, endorsed or licensed by Nintendo of America Inc. Camerica, Aladdin, Aladdin Deck Enhancer and Aladdin Compact Cartridge are trademarks of Camerica Corporation and used under license by Camerica Limited Inc. Codemasters, Dizzy and game titles on this pack are trademarks being used under license by Codemasters Software Co. Ltd. Game Genie is a trademark of Lewis Galoob Toys Inc.
© Codemasters Software Co. Ltd. 1993.
All rights reserved.
Made in the U.K.

IMPORTANT PRECAUTIONS

We recommend that you take a 10 to 20 minute break for every 2 hours of play. Also to avoid eye strain, play the game at a reasonable distance from the T.V.

DO NOT touch the connectors or get them wet or dirty.

DO NOT clean the game case with benzene, alcohol, paint thinner or other such solvents.

DO NOT store the game in places that are very hot or very cold.

DO NOT hit it or drop it or attempt to take it apart.

DO NOT use on a FRONT OR REAR PROJECTOR TV. Projection TVs can be permanently damaged by displaying stationary screens or patterns, eg. a game in pause mode.

Camerica will not be held liable for any such damage. It is not a defect of the game, any stationary image can cause such damage.

Please contact your TV manufacturer for more information.

CAMERICA LIMITED INC., LIMITED WARRANTY

Camerica Limited Inc., ("CAMERICA") warrants to the original purchaser only of this Camerica Aladdin Deck Enhancer that the medium on which this computer program is recorded is free from defects in materials and workmanship for a period of ninety(90) days from the date of purchase.

This warranty is not applicable to normal wear and tear. This warranty shall not be applicable and shall be void if the defect in the Camerica Aladdin Deck Enhancer has arisen through ABUSE, UNREASONABLE USE, MISTREATMENT OR NEGLIGENCE.

Camerica agrees for a period of ninety (90) days to either replace or repair, at Camerica's option, free of charge, the Camerica Aladdin Deck Enhancer found not to meet Camerica's express warranty, postage paid with proof of date of purchase.

Replacement of the Aladdin Deck Enhancer found not to meet Camerica's express warranty and returned to Camerica by the original purchaser within ninety (90) days of purchase, is the full extent of Camerica's warranty obligations and is the purchaser's exclusive remedy.

This warranty is in lieu of all other warranties and conditions and all warranties and conditions express or implied, including but not limited to, implied warranties and conditions of merchantability and fitness for a particular purpose and those arising by statute or otherwise in law or from a course of dealing or uses of trade are all expressly disclaimed.

In no event will Camerica be liable for any special incidental or consequential damages resulting from possession, use or malfunction of this Camerica Aladdin Deck Enhancer.

The express warranty above gives you specific rights and you may also have other rights which vary from jurisdiction to jurisdiction. Some jurisdictions do not allow the exclusion or limitation of incidental or consequential damages or limitation on how long an implied warranty or conditions last, so the above limitation or exclusion may not apply to you. Any exclusion or limitation shall not be applicable to the extent it is prohibited by the law in any jurisdiction and such provision shall be severed from the rest of these terms.

Camerica Ltd Inc., 3415 14TH Avenue, Markham, Ontario, L3R OH3, Canada -Tel (416) 470-2791



Written by
CODEMASTERS

FCC INFORMATION

The device complies with Part 15 of the FCC Rules. Operations subject to the following two conditions.

- 1 This device may not cause harmful interference and
- 2 This device must accept any interference received including interference that may cause undesired operations.

This equipment has been tested and found to comply with the limits for a Class B Digital Device, pursuant to Part 15 of the FCC Rules. These limits are designed to provide reasonable protection against harmful interference in a residential installation. The equipment generates, uses and can radiate radio frequency energy and if not installed and used in accordance with the instructions may cause harmful interference to radio communications. However, there is no guarantee that interference will not occur in a particular installation. If this equipment does cause harmful interference to radio or television reception, which can be determined by turning the equipment off and on, the user is encouraged to try to correct the interference by one or more of the following measures:

- Re-orient or relocate the receiving antenna.
- Increase the separation between the equipment and the receiver.
- Connect the equipment into an outlet on a circuit different from that to which the receiver is connected.
- Consult the dealer or an experienced radio/tv technician for help.

This digital apparatus does not exceed the Class B limits for radio noise emissions from digital apparatus as set out in the radio interference regulations of the Canadian Department of Communications.

Published by

